

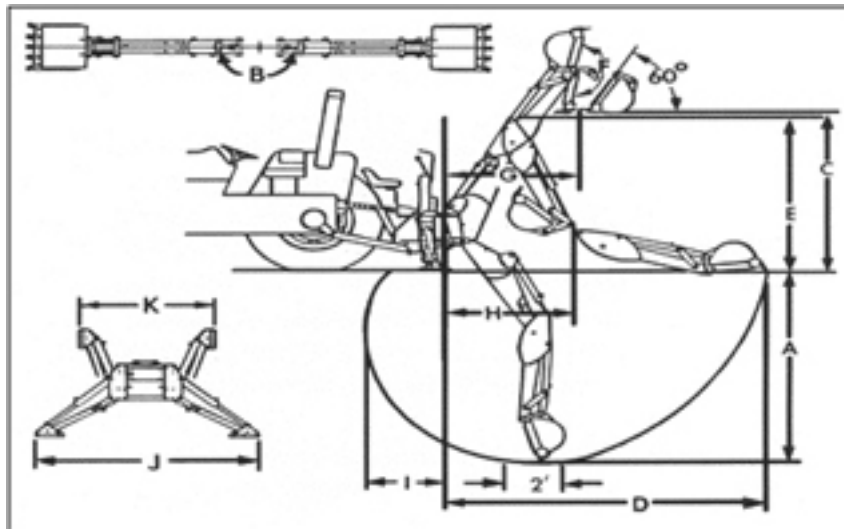


BEYOND THE EXPECTED™

CURVED BOOM BACKHOE SPECIFICATIONS

CB75 (Fits Ex2900 / Ex3200)

A	Maximum Digging Depth	89"
	Digging Depth (2' Flat Bottom)	87"
B	Swing Arc	180 Degrees
C	Loading Height	80.5"
D	Reach from Swing Pivot	124"
E	Transport Height	83"
F	Bucket Rotation	180 Degrees
G	Loading Reach	43"
H	Transport Overhang	45"
I	Undercut	17.5"
J	Stabilizer Spread (Down)	89"
	Bucket Cylinder Digging Force	2,606 lbs.
	Dipperstick Cylinder Digging Force	1,822 lbs.
	Weight (Less Bucket)	945 lbs.
	Operating Pressure	2,065 lbs.
	Ramp Angle (w/Industrial Tires)	18"
	Weight (w/o Power Beyond Kit)	830 lbs.
	Weight (Subframe and Adapter)	325 lbs.
	Residential/Commercial Warranty*	1-year limited



* See owner's manual for warranty detail

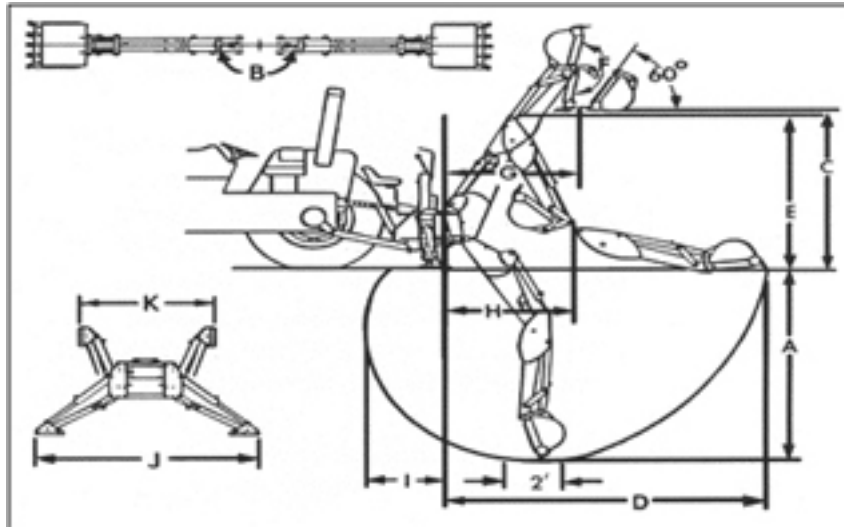


BEYOND THE EXPECTED™

CURVED BOOM BACKHOE SPECIFICATIONS

CB85 (Fits Ex450)

A	Maximum Digging Depth	103"
	Digging Depth (2' Flat Bottom)	102"
B	Swing Arc	180 Degrees
C	Loading Height (Bucket at 60 Degrees)	87"
D	Reach from Center Line of Swing Pivot	142"
E	Transport Height (Maximum)	91"
F	Bucket Rotation	180 Degrees
G	Loading Reach (Bucket at 60 Degrees)	46"
H	Transport Overhang	54"
I	Undercut	22"
J	Stabilizer Spread - Up Position	54"
K	Stabilizer Spread - Down Position	99"
	Bucket Cylinder Digging Force	3,730 lbs.
	Dipperstick Cylinder Digging Force	2,435 lbs.
	Shipping Weight (Less Bucket)	1,350 lbs.
	PSI	2,550
	Residential/Commercial Warranty*	1-year limited



* See owner's manual for warranty detail